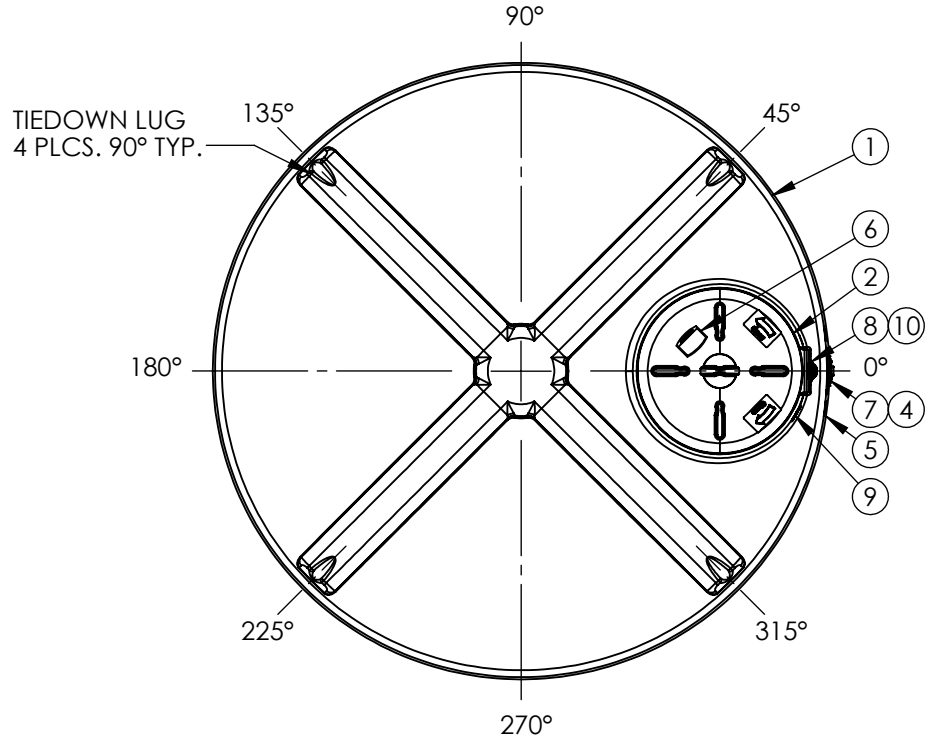
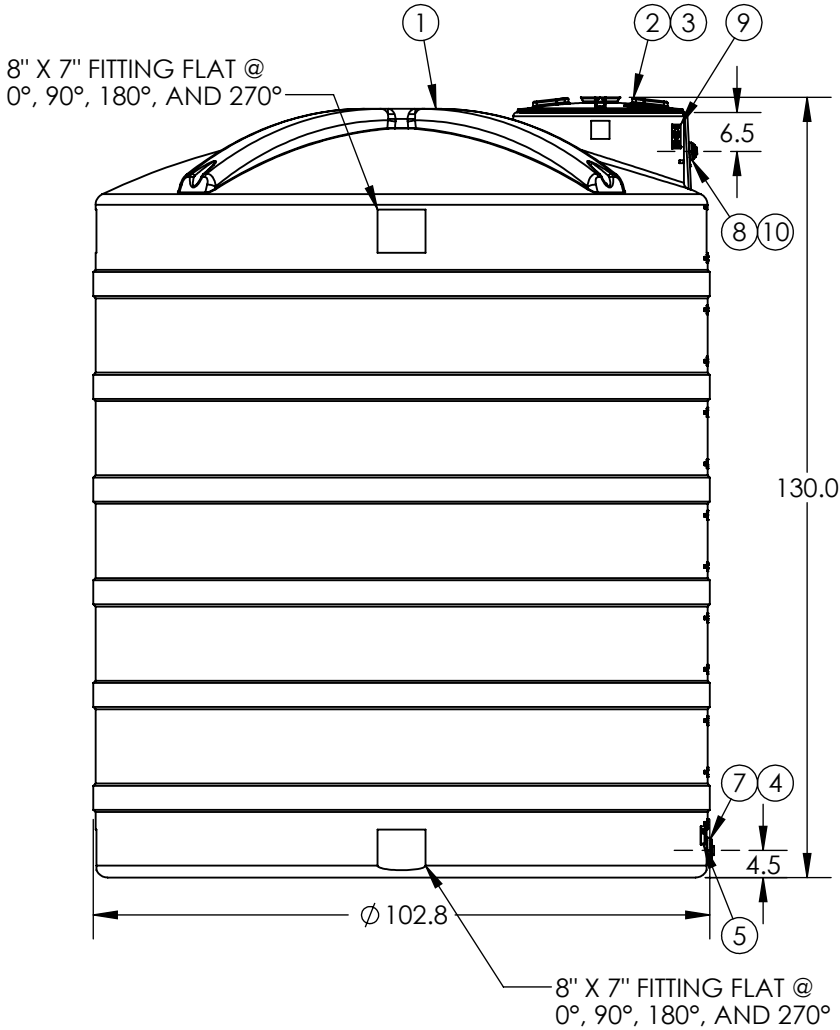


PART NUMBER	TANK COLOR
32327	BLACK
32329	GREEN



10	1	64149	1-1/2" NPT PLUG
9	1	99700231	DECAL NSF MARK - WATER TKS
8	1	63931	FTG PP 1-1/2IN ECO-BH EPDM TXT
7	1	63683	FTG 2IN HD BH PP/EPDM
6	1	61848	DECAL AG WARNING - LARGE
5	1	61847	DECAL AG WARNING - SMALL
4	1	60021	2" NPT PLUG
3	8	60081	SCREW #9 X 1" SS 5"-22" LID
2	1	64443	MANWAY 26IN W/VENT R
1	1	30358-ME	4100V X 102 RP

***ALL EXTERNAL PIPING MUST BE INDEPENDENTLY SUPPORTED.**
***ONLY BASE FITTINGS TO BE LEFT INSTALLED AT TIME OF SHIPMENT PER SII PROCEDURE.**
ALL DIMENSIONS ARE IN INCHES, NOMINAL, & SUBJECT TO CHANGE WITHOUT NOTICE.
ALL DIMENSIONS ON ROTATIONAL MOLDED PARTS ARE SUBJECT TO A ± 3% TOLERANCE.

ITEM NO.	PART NUMBER	DESCRIPTION	REVISION
DO NOT SCALE		DRAWN BY	IGG
STATUS: Released			TITLE: 4100 V WATER R WF
© SNYDER INDUSTRIES, LLC, 2019			REVISION: A
ALL DIMENSIONS, DESIGNS, AND INFORMATION ON THIS PRINT MUST BE CONSIDERED PROPRIETARY TO SNYDER INDUSTRIES, LLC, AND MAY NOT BE USED, COPIED, OR DISTRIBUTED WITHOUT WRITTEN PERMISSION OF AN OFFICER (OR HIS AGENT) OF THE FIRM.		(402) 467-5221 www.snydernet.com	SHEET: 1 OF 1
		PART NO. SEE CHART	ENG. ID. A016668