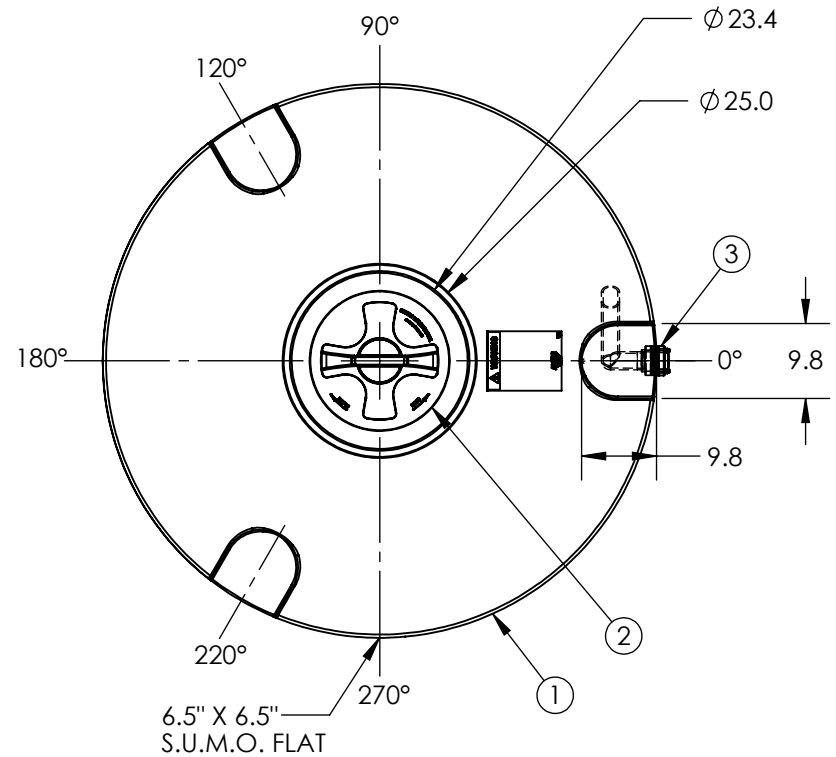


2-3" S.U.M.O.
FITTING LOCATION
(6.5" X 6.5") @ 270°



3	1	34700841	ASM SIPHON/BLTD PP/EPDM 2IN X LONG
2	1	34700087	ASM MANWAY 18IN PE W/4IN VENT W/TIE SII
1	1	1780200C__02	ASM TK 1900VDT X 72 NH NOMW
ITEM NO.	QTY.	PART NUMBER	DESCRIPTION
DO NOT SCALE		DRAWN BY	TITLE:
Released		EIS	SNYDER INDUSTRIES, INC.
© SNYDER INDUSTRIES, INC., 2018			REVISION
ALL DIMENSIONS, DESIGNS, AND INFORMATION ON THIS PRINT MUST BE CONSIDERED PROPRIETARY TO SNYDER INDUSTRIES, INC. AND MAY NOT BE USED, COPIED, OR DISTRIBUTED WITHOUT WRITTEN PERMISSION OF AN OFFICER (OR HIS AGENT) OF THE FIRM.			A
PART NO.			SHEET
1780200C__03			1 OF 1
ENG. ID.			
D004021			
TITLE:			
ASM TK 1900VDT X 72 2IN SIPH			
[402] 467-5221 www.snydernet.com			

***ALL EXTERNAL PIPING MUST BE INDEPENDENTLY SUPPORTED.**
***ONLY BASE FITTINGS TO BE LEFT INSTALLED AT TIME OF SHIPMENT PER SII PROCEDURE.**
ALL DIMENSIONS ARE IN INCHES, NOMINAL, & SUBJECT TO CHANGE WITHOUT NOTICE.
ALL DIMENSIONS ON ROTATIONAL MOLDED PARTS ARE SUBJECT TO A ± 3% TOLERANCE.