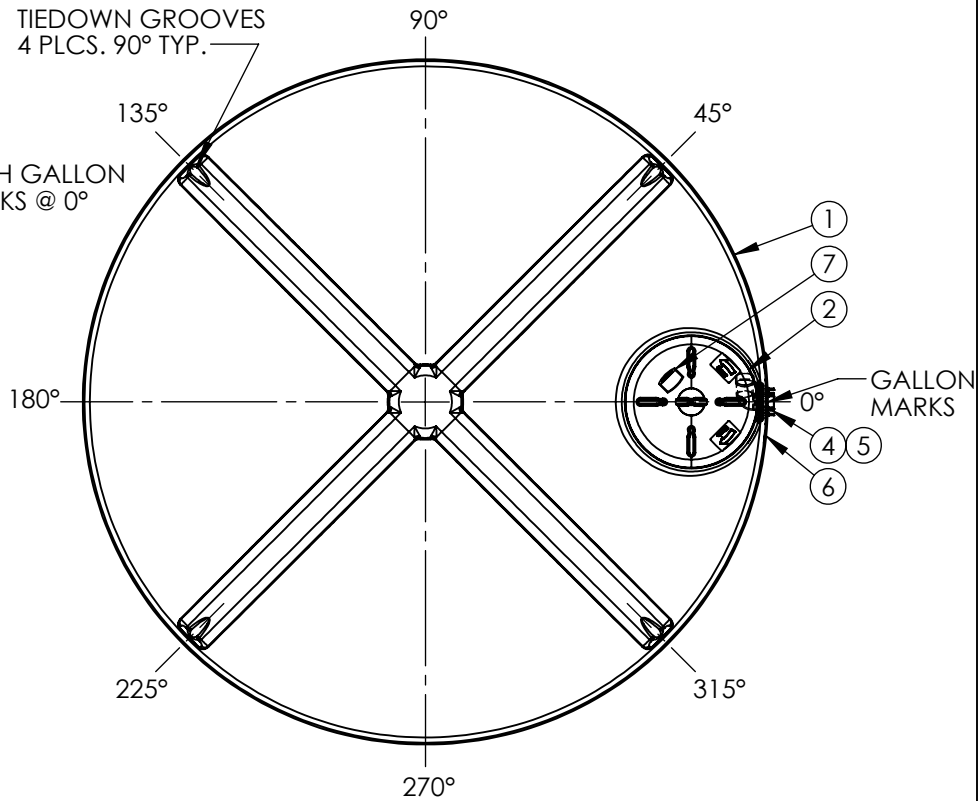
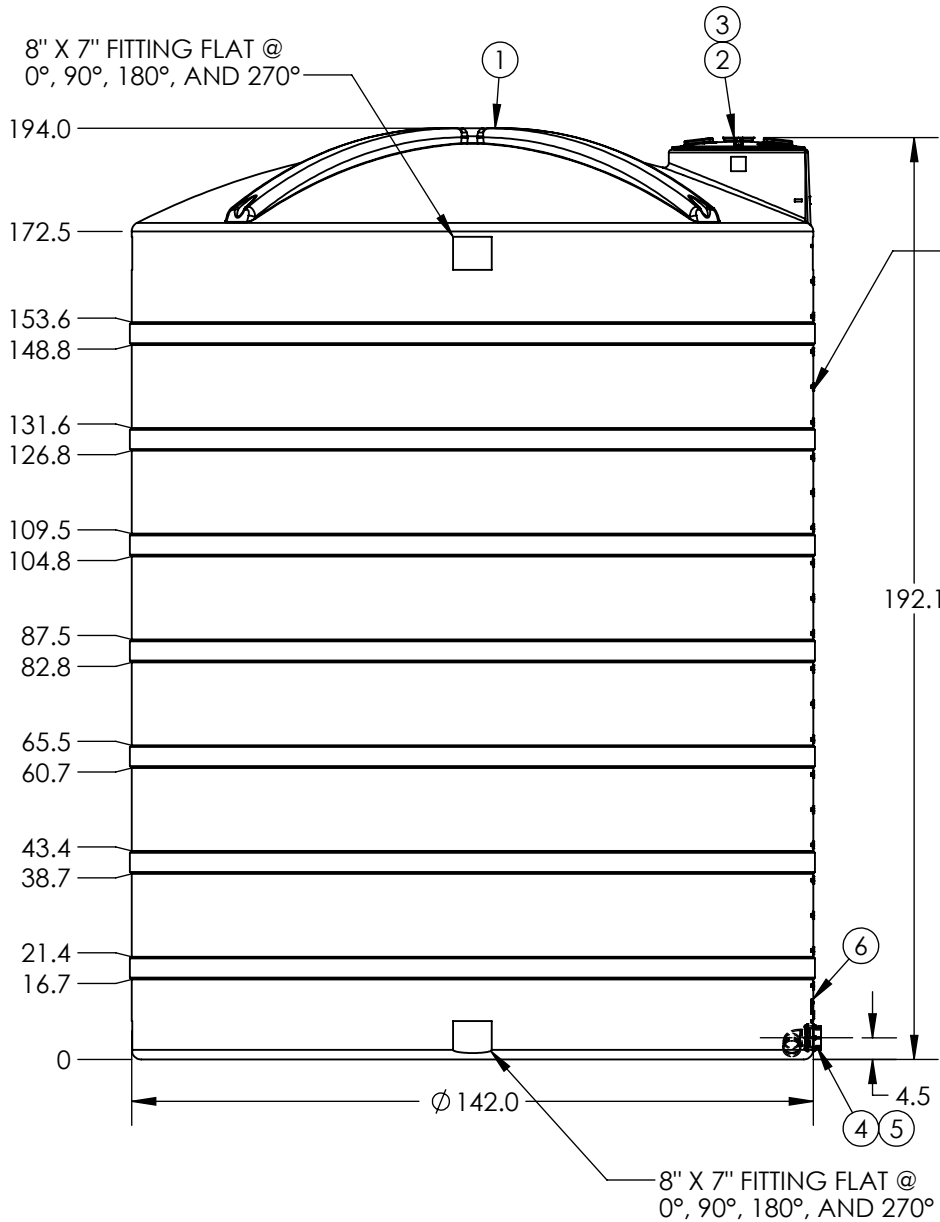


PART NUMBER	TANK COLOR
32074	NATURAL 1.5
32485	BLACK 1.5



*GALLON MARKS CAN BE REMOVED FOR FITTING PLACEMENT AS NECESSARY.

ITEM NO.	QTY.	PART NUMBER	DESCRIPTION
7	1	61848	DECAL AG WARNING - LARGE
6	1	61847	DECAL AG WARNING - SMALL
5	1	60327	SIPHON TUBE 3 X 5-1/2 PP
4	1	34701598	ASM 3IN BLTD FTG 316SS EPDM
3	8	60081	SCREW #9 X 1" SS 5"-22" LID
2	1	64443	MANWAY 26IN W/VENT R
1	1	30373-ME	12000V X 142 RP ME

*FITTINGS ARE CENTERED IN BOTTOM FITTING FLATS & FITTING HEIGHTS MAY VARY
 *ALL EXTERNAL PIPING MUST BE INDEPENDENTLY SUPPORTED.
 *ONLY BASE FITTINGS TO BE LEFT INSTALLED AT TIME OF SHIPMENT PER SII PROCEDURE.
 ALL DIMENSIONS ARE IN INCHES, NOMINAL, & SUBJECT TO CHANGE WITHOUT NOTICE.
 ALL DIMENSIONS ON ROTATIONAL MOLDED PARTS ARE SUBJECT TO A ± 3% TOLERANCE.

DO NOT SCALE		DRAWN BY	TITLE:	REVISION
Released		IGG	12000 V R WF	A
© SNYDER INDUSTRIES, LLC, 2019			REVISION	SHEET
ALL DIMENSIONS, DESIGNS, AND INFORMATION ON THIS PRINT MUST BE CONSIDERED PROPRIETARY TO SNYDER INDUSTRIES, LLC, AND MAY NOT BE USED, COPIED, OR DISTRIBUTED WITHOUT WRITTEN PERMISSION OF AN OFFICER (OR HIS AGENT) OF THE FIRM.			SEE CHART	1 OF 1
(402) 467-5221 www.snydernet.com		PART NO.	ENG. ID.	
		SEE CHART	A016943	