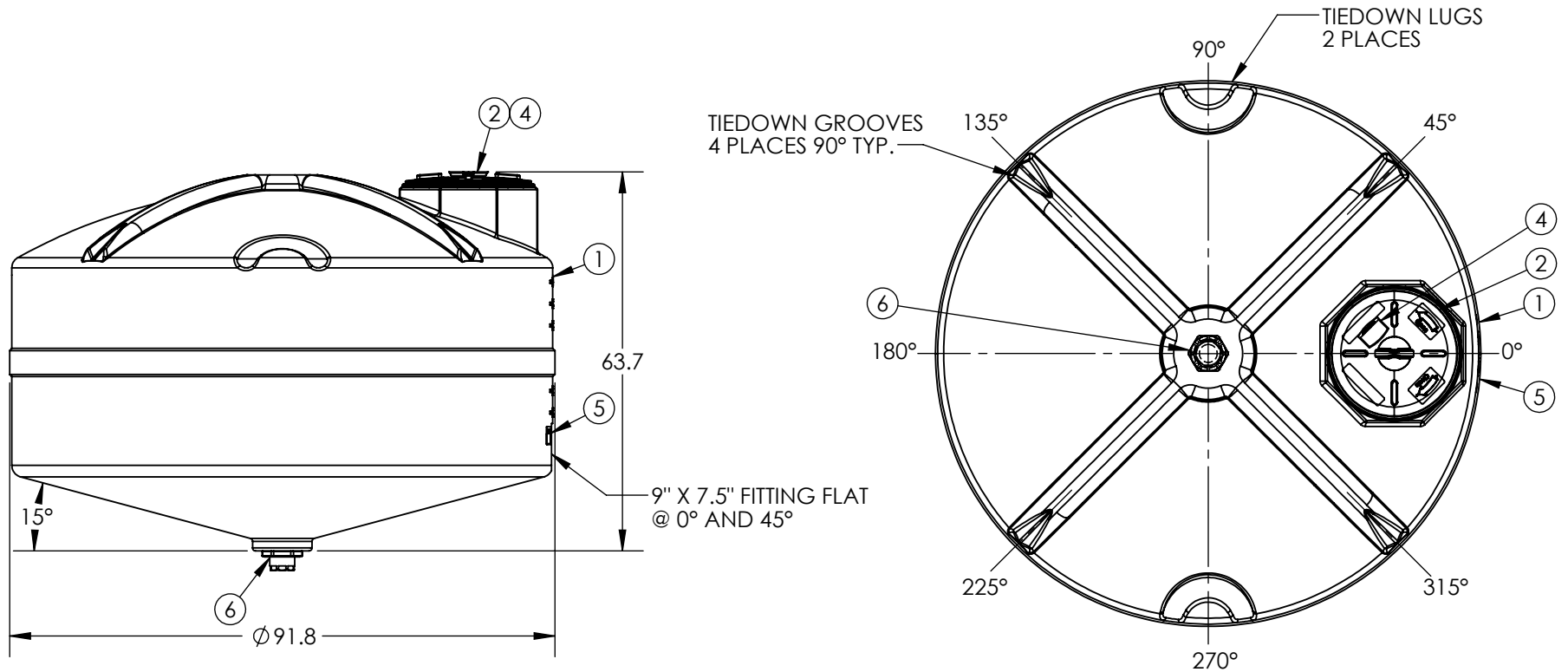


PART NUMBER	MATERIAL
32590	NAT 1.5
32592	NAT 1.9



6	1	62299	FTG PP 3IN BH EPDM TXT
5	1	61847	DECAL AG WARNING - SMALL
4	1	61848	DECAL AG WARNING - LARGE
3	8	60081	SCREW #9 X 1" SS 5"-22" LID
2	1	64448	MANWAY 20IN W/VENT R
1	1	30349-ME	1200 15 DEG CB R
ITEM NO.	QTY.	PART NUMBER	DESCRIPTION
DO NOT SCALE		DRAWN BY	TITLE:
Released		IGG	1200 15 DEG CB R WF
© SNYDER INDUSTRIES, LLC, 2021			REVISION
ALL DIMENSIONS, DESIGNS, AND INFORMATION ON THIS PRINT MUST BE CONSIDERED PROPRIETARY TO SNYDER INDUSTRIES, LLC, AND MAY NOT BE USED, COPIED, OR DISTRIBUTED WITHOUT WRITTEN PERMISSION OF AN OFFICER (OR HIS AGENT) OF THE FIRM.			B
[402] 467-5221 www.snydernet.com			SHEET
PART NO.		ENG. ID.	1 OF 1
SEE CHART		A017470	

*ALL EXTERNAL PIPING MUST BE INDEPENDENTLY SUPPORTED.
 *ONLY BASE FITTINGS TO BE LEFT INSTALLED AT TIME OF SHIPMENT PER SII PROCEDURE.
 ALL DIMENSIONS ARE IN INCHES, NOMINAL, & SUBJECT TO CHANGE WITHOUT NOTICE.
 ALL DIMENSIONS ON ROTATIONAL MOLDED PARTS ARE SUBJECT TO A ± 3% TOLERANCE.