

Roll Tarp Systems



SRT-2® Original Spool Roll Tarp Stainless Steel

Features:

- Spring loaded spools provide consistent tarp tension at any stop point while rolling and unrolling, even in windy conditions
- Tension ratchets allow for fine tuning tarp tension during initial install, no need to adjust
- Extra durable 3" aluminum roll tube is strong, yet lightweight offering a faster and straighter roll
- Rope channel design creates uniform tarp tension for a better fitting and longer lasting tarp
- Telescoping crank handle with flex drive system rolls and unrolls tarp at many angles with ease
- Premium commercial grade, 18 oz vinyl fabric



EZ-LOC® Roll-Up Tarp Stainless Steel

Features:

- 2" aluminum roll tube is rust resistant and strong, yet lightweight to minimize tarp wear
- Rope channel design creates uniform tarp tension for a better fitting and longer lasting tarp
- Custom end caps with crimped standing seam is self sealing, flexible with no welds to break
- Quick release aluminum tarp stops with integrated set screw
- Heavy duty zinc plated U-joint with 21 splines for fine tuning tarp tension



Command 10® Wireless Remote

Features:

- Long battery life using common AAA batteries
- Remote and receiver come pre-programmed
- Controls 10 devices from more than 100 ft away
- Built-in overload protection
- Remote shuts off when the lid is closed or after 3 minutes of inactivity
- Weather and impact resistant receiver
- Glove friendly toggle switch



Replacement Parts for Roll Tarp Systems

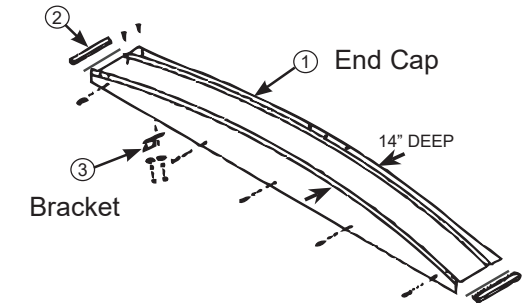


Stainless Steel End Caps for SRT-2 Roll Tarp and EZ-LOC Roll-Up Tarp (Manufactured after August 2008)

ITEM	SIDE MOUNT PART NO.	MAX BOX WIDTH	DESCRIPTION
END CAP (SIDE MOUNT AND TOP MOUNT)			
1	WJ09620	96"	End Cap, Stainless Steel 7" Rise
	WJ09621	96"	End Cap, Stainless Steel 12" Rise
	WJ10220	102"	End Cap, Stainless Steel 7" Rise
	WJ10221	102"	End Cap, Stainless Steel 12" Rise
	WJ11820	118"	End Cap, Stainless Steel 7" Rise
	WJ11821	118"	End Cap, Stainless Steel 12" Rise

ITEM	PART NO.	DESCRIPTION
END CAP HARDWARE		
2	60242	End Cap Seal, 60" Long (Enough for 2 End Caps)
	70319	Bracket, End Cap 7" Rise Stainless Steel
	70337	Bracket, End Cap 12" Rise Stainless Steel
	30689	End Cap Bracket Kit 7" Rise SS (for 2 end caps) (powder coated brackets, SS hardware)
	40900	End Cap Bracket Kit 12" SS (for 2 end caps) (powder coated brackets, SS hardware)

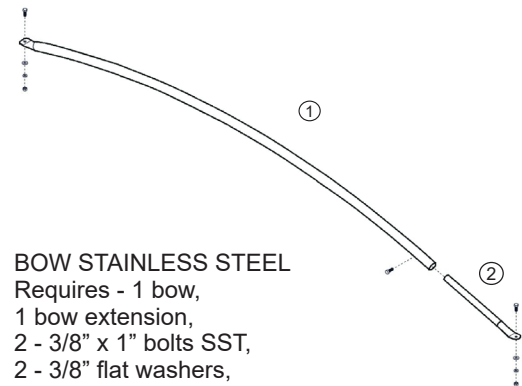
End Cap Seal



End Cap (Side Mount) (used at front or rear)

Standard Stainless Steel Bows

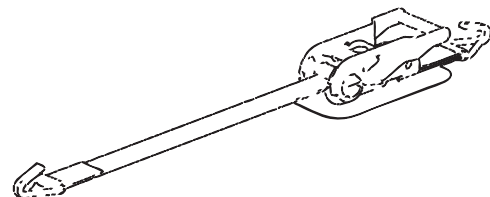
ITEM	PART NO.	MAX WIDTH	DESCRIPTION
BOWS AND HARDWARE			
1	10893		Bolt, 3/8" Self Tapping, HHD Zinc Plated
2	JL096202	96"	Bow w/Extension, Stainless Steel
	JL096212	96"	Bow w/Extension, Stainless Steel
	JL102202	102"	Bow w/Extension, Stainless Steel
	JL102212	102"	Bow w/Extension, Stainless Steel
	JL120202	120"	Bow w/Extension, Stainless Steel
	JL120212	120"	Bow w/Extension, Stainless Steel
	50585		Bow Hardware Kit SS (SS bolts, nuts & washers)



BOW STAINLESS STEEL
Requires - 1 bow, 1 bow extension, 2 - 3/8" x 1" bolts SST, 2 - 3/8" flat washers, 2 - 3/8" lock washers and 2 - 3/8" nuts SST

Standard Ridge Strap 1" Wide

ITEM	PART NO.	DESCRIPTION
RIDGE STRAP ASSEMBLY		
1	50428	Ridge Strap Kit, SS up to 10' Long Box
	40962	Ridge Strap Kit, SS up to 14' Long Box
	40963	Ridge Strap Kit, SSI up to 18' Long Box
	50008	Ridge Strap Kit, SS up to 24' Long Box
2	70557	Ridge Strap Kit, SS up to 36' Long Box
	70585	Ridge Strap Kit, SS up to 42' Long Box
	70613	Ridge Strap Kit, SS up to 50' Long Box
	70641	Ridge Strap Kit, SS up to 54' Long Box



SRT-2 AND EZ-LOC SS Kit ridge strap assemblies include standard webbing, SST ratchet and SST hook

Replacement Parts for Roll Tarp Systems



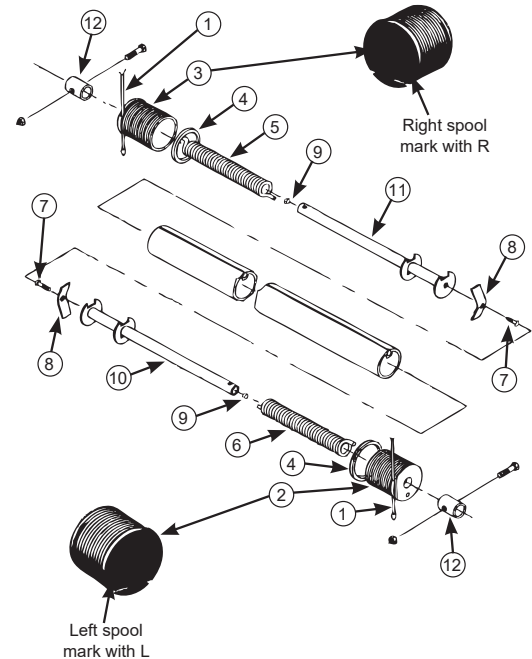
SRT-2 Spool Roll Tarp Parts

ITEM	PART NO.	DESCRIPTION
CABLES		
1	10941	Cable 139" SS (Up to 102" wide box)

ITEM	PART NO.	DESCRIPTION
SPOOLS		
2	20547	Spool, Left Front 3" Nylon (Up to 120" wide box)
3	20548	Spool, Right Rear 3" Nylon (Up to 120" wide box)
	30655	Spool Grease (3/4 oz. Tube, Teflon Grease)
4	30553	O-Ring Kit (includes 2 rubber rings)

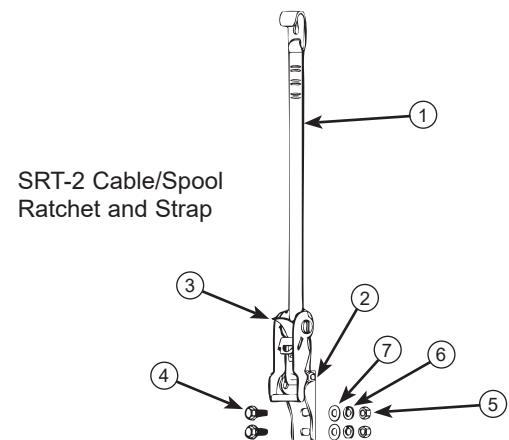
ITEM	PART NO.	DESCRIPTION
CARTRIDGES		
	40835	Cartridge ASM, Rear P/C For Stainless Steel Kits (Cartridge, Clamp, Bolt & Nut)
	40812	Cartridge ASM, Front P/C For Stainless Steel Kits (Cartridge, Clamp, Bolt & Nut)
7	40961	Bolt, Carriage 5/16" x 1" Zinc Plated
8	10331	Clamp (For Cartridge) for Galv. & SS Systems
9	60067	Nut, Hex Nyloc 5/16" Zinc Plated
10	10607	Powder Coated Cartridge (Front Left)
11	10608	Powder Coated Cartridge (Rear Right)
12	50600	PVC Spacer, Bolt & Nut Kit (For SS)

ITEM	PART NO.	DESCRIPTION
SPRINGS		
5	40983	Spring Front Powder Coated (for SS Kits)
6	40982	Spring Rear Powder Coated (for SS Kits)



SRT-2® Spool Roll Tarp Cable Ratchet and Strap

ITEM	PART NO.	DESCRIPTION
SRT-2 CABLE RATCHET AND STRAP 1" WIDE		
	80043	Ratchet w/ Adjustable Stainless Steel Bracket, Short Strap and Hook Stainless Steel
1	70989	Ratchet Strap Short w/ Stainless Steel Hook (1")
2	71004	Bracket Adjustable Stainless Steel
3	80033	Ratchet Only Stainless Steel
4	10927	Bolt, 3/8" x 1" GR5, Stainless Steel, 2 Required
5	10928	Nut, 3/8" Stainless Steel
6	10929	Washer, Lock 3/8" Stainless Steel
7	10930	Washer, Flat 3/8" Stainless Steel

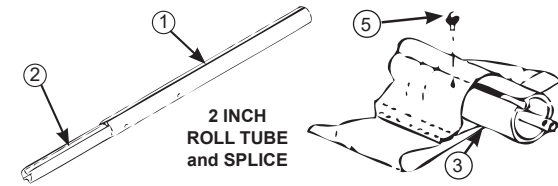


Replacement Parts for Roll Tarp Systems

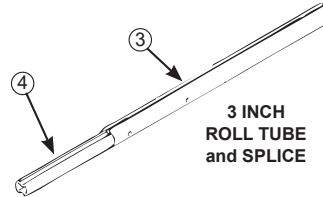


Roll Tubes, Stationary Tubes

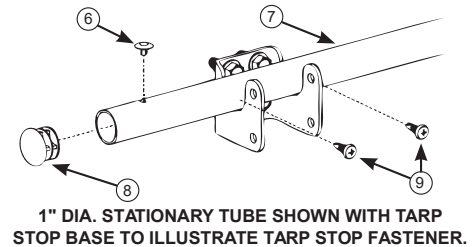
ITEM	PART NO.	DESCRIPTION
2" ROLL TUBE AND SPLICE (ALUMINUM)		
1	60950	Roll Tube 2" Dia. (Alum.)
2	50050	Splice Tube, 24" Lg. Alum. (For 2" Dia. Roll Tube)



ITEM	PART NO.	DESCRIPTION
3" ROLL TUBE AND SPLICE (ALUMINUM)		
3	10263	Roll Tube 3" Dia. Aluminum
4	50064	Roll Tube Splicer (3" tubes)
5	60786	Drive Rivet, Tarp to 3" Tube Attachment



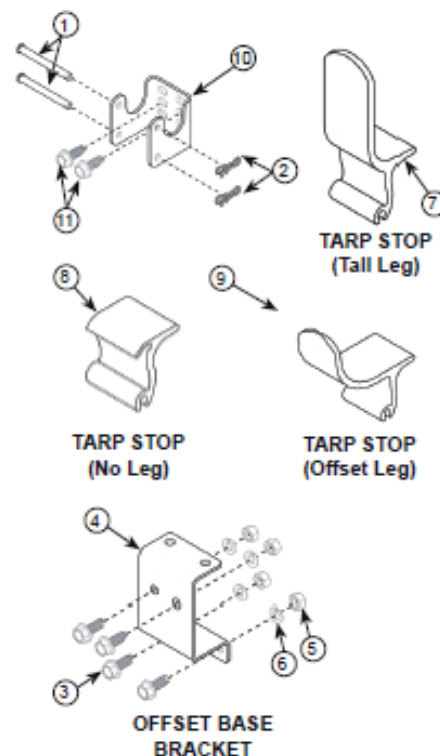
ITEM	PART NO.	DESCRIPTION
1" STATIONARY TUBE STEEL		
6	60793	Drive Rivet , 1" Tube Splice & Tarp to Tube Attachment
7	20905	1" Dia. Stationary Tube Stainless Steel
8	50555	Tube End Plug 1" Dia. Stainless Steel (2Pcs.)
9	30546	Tarp Stop Kit (2 SS) Fasteners, 2 Nylon Spacers)



Tarp Stops

ITEM	PART NO.	DESCRIPTION
TARP STOP FOR STAINLESS STEEL		
1	10892	Clevis Pin
2	60036	Bow Tie Pin
3	10893	Bolt, 3/8" x 1" Self Tapping HHD Zinc Plated
4	70975	Offset Base Bracket
5	10186	Nut, 3/8" Hex Zinc Plated
6	10903	Washer, Lock 3/8" Zinc Plated
	50572	Powder Coated Quick Release Tarp Stop ASM (Tall Leg)
	50559	Powder Coated Quick Release Tarp Stop ASM (No Leg) w/ Stainless Steel Base
	50584	Powder Coated Quick Release Tarp Stop ASM w/ Stainless Steel Base (Offset Leg)
7	70332	Powder Coated Quick Release Tarp Stop Tall Leg (no base or hardware)(For Stainless Steel Kits)
8	70334	Powder Coated Quick Release Tarp Stop No Leg (no base or hardware)(for Stainless Steel Kits)
9	40916	Powder Coated Quick Release Tarp Stop Offset Leg (no base or hardware)(For Stainless Steel Kits)
10	70282	Stainless Steel Base for Quick Release Tarp Stop
11	10927	Bolt, 3/8" x1" GR5, Stainless Steel, 2 Required
	10928	Nut, 3/8" Stainless Steel
	10929	Washer, Lock 3/8" Stainless Steel
	10930	Washer, Flat 3/8" Stainless Steel

Quick Release Tarp Stop Assembly

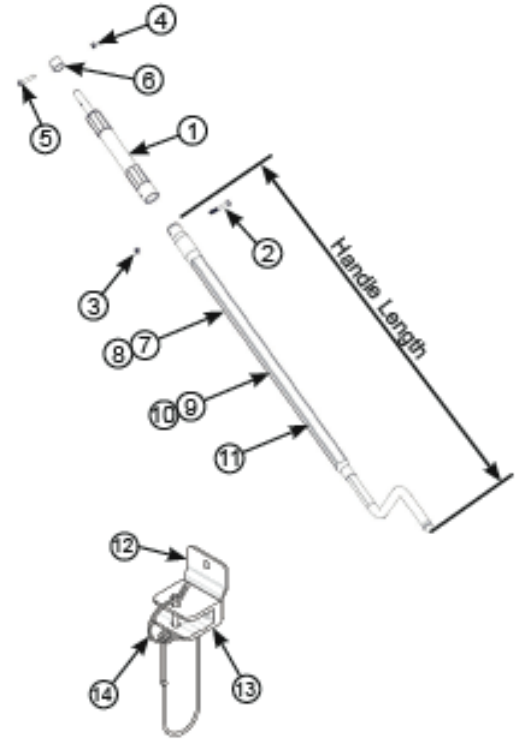


Replacement Parts for Roll Tarp Systems



SRT-2® Spool Roll Tarp Crank Handle Parts

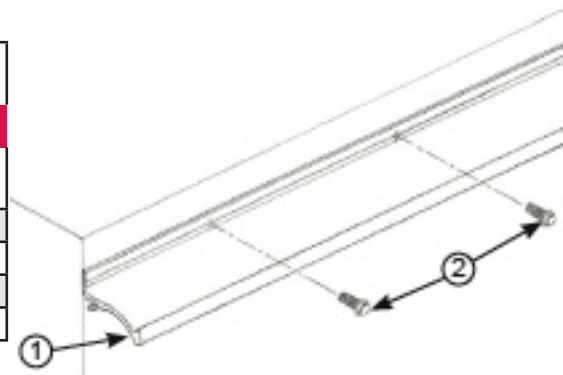
ITEM	PART NO.	DESCRIPTION
TELESCOPIC HANDLES, FLEX DRIVE AND HOLDERS		
1	70150	Flex Drive Hose w/ welded shaft
2	60939	Bolt, 5/16" x 2-1/4" Zinc Plated
3	60067	Nut, Hex Nyloc 5/16" Zinc Plated
4	10178	Nut, Hex Rev Lock 5/16" Zinc Plated
5	10894	Bolt, 5/16" x 1-3/4" GR5 Hex Zinc Plated
6	10734	Spacer, PVC 1" Long
7	70606	Telescoping Crank Short (handle only) extends to 7' 2"
8	70614	Telescoping Crank, Short w/ Flex Drive (no holders) extends to 7' 2"
9	70649	Telescoping Crank, Long (handle only) extends to 11' 6"
10	70657	Telescoping Crank, Long w/ Flex Drive (no holders) extends to 11' 6"
11	70686	Telescoping Crank, Xlong (handle only) extends to 12' 10"
12	70235	SS Swivel w/Crank Holder (Nylon) w/Pin
	10893	Bolt, 3/8" x 1" Self Tapping HHD Zinc Plated
	30675	Bolt, 3/8" x 1" Galvanized & Loctite Prepped
	30656	Bolt, 3/8" x 1" Stainless Steel & Loctite Prepped
13	10733	Nylon Crank Holder (No Swivel or Hardware)
14	10887	Pin, 1/4" x 2" Tab Lock Zinc Plated (Snap Pin)
	50600	PVC Spacer, Bolt & Nut Kit (For Stainless Steel)



ROLL TARP SYSTEMS

Latch Plate

ITEM	PART NO.	DESCRIPTION
LATCH PLATE		
1	10260	Latch Plate (EZ-LOC, AUTOLOCK and ROLTEC tarps)
2	10927	Bolt, 3/8" x 1" GR5, Stainless Steel, 2 Required
	10928	Nut, 3/8" Stainless Steel
	10929	Washer, Lock 3/8" Stainless Steel
	10930	Washer, Flat 3/8" Stainless Steel

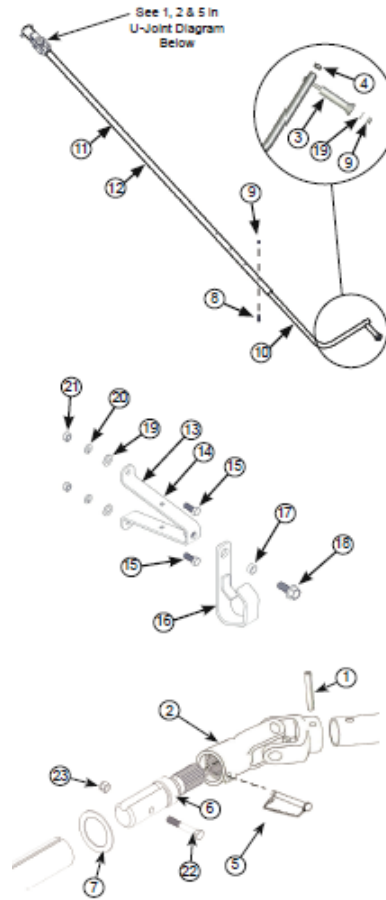


Replacement Parts for Roll Tarp Systems



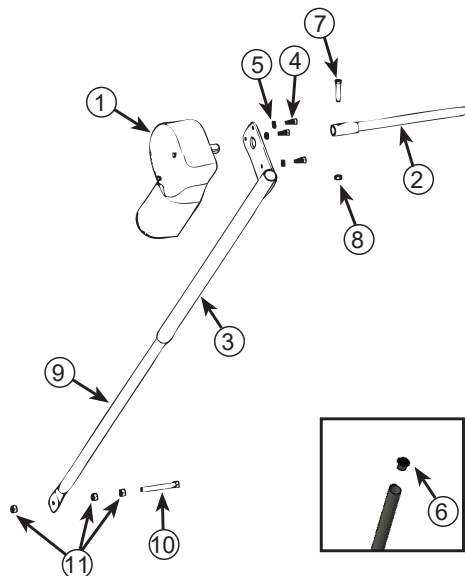
EZ-LOC® Roll-Up Tarp Crank Handles

ITEM	PART NO.	DESCRIPTION
EZ-LOC CRANK HANDLE PARTS		
1	10730	Roll-Pin
2	10791	U-Joint, EZ-LOC w/o Snap Pin
3	60318	Crank Handle Grip
4	10124	Plug, Nylon
5	10888	Pin, Lock 3/8" x 2-1/2"
6	90262	Spline Shaft ASM (21 Spline with Cartridge)
7	70952	Cable Retainer
8	70551	Bolt, 3/8 x 1 3/4" HHD Stainless Steel
9	60451	Nut, 3/8" Hex Stainless Steel
10	70722	Crank Handle Lower, Short 24" Stainless Steel
11	70634	Crank Extension Upper, 80" Long Stainless Steel
12	70652	Crank Extension Upper, 96" Long Stainless Steel
13	70539	Crank Holder Mount, 7" Stainless Steel
14	70560	Crank Holder Mount, 11" Stainless Steel
15	10927	Bolt, 3/8" x 1" GR5, Stainless Steel, 2 Required
16	70608	Pinless Handle Holder Stainless Steel
17	70633	Spacer Bushing, 1/2" x 5/16" Stainless Steel
18	70621	Bolt 1/2" x 1" Hex Flange Stainless Steel
	70740	Crank Handle Group, Short Stainless Steel
	70755	Crank Handle Group, Long Stainless Steel
	70695	Handle Holder Kit Stainless Steel
	70700	Handle Holder Kit Stainless Steel
19	10930	Washer, Flat 3/8" Stainless Steel
20	10929	Washer, Lock 3/8" Stainless Steel
21	10928	Nut, 3/8" Stainless Steel Cable Retainer
22	10906	Bolt, hex, 3/8"-16 x 2-1/2", GR5, Zinc Pl
23	50833	Nut, hex Nylock, 3/8"-16 GR5, Zinc Pl



Electric Motor Kit and Parts

ITEM	PART NO.	DESCRIPTION
SRT-2 ELECTRIC MOTOR (STAINLESS STEEL KIT)		
	40890	SRT-2 Electric Motor Kit
	50971	SRT-2 Electric Kit SS, Farm Box no Hoist
	60111	SRT-2 Electric Kit SSI, Fertilizer Tender Trailer
1	50676	Motor, 12V with Cover (SRT-2)
	90161	Motor Cover, Stainless Steel (motor not included)
2	10333	Motor Extension Shaft, 14" Powder Coated (SRT-2)
3	10774	Pivot Arm Top, 30" w/Motor Mount (Blk)
4	40941	Bolt, 5/16" x 3/4" SS (Requires 3 for Motor Mount)
5	10922	Washer, Lock 5/16" SS (Requires 3 for Motor Mount)
6	10124	Plug, Nylon
7	10925	Bolt, 5/16" x 1-3/4" Hex, Stainless Steel
8	10924	Nut, 5/16" Hex Rev-Lock, Stainless Steel
9	40989	Pivot Arm, Bottom Stainless Steel (60")
10	10932	Bolt, 3/8" x 2-1/2" Hex, Stainless Steel
11	60451	Nut, 3/8" Hex Stainless Steel



Replacement Parts for Roll Tarp Systems



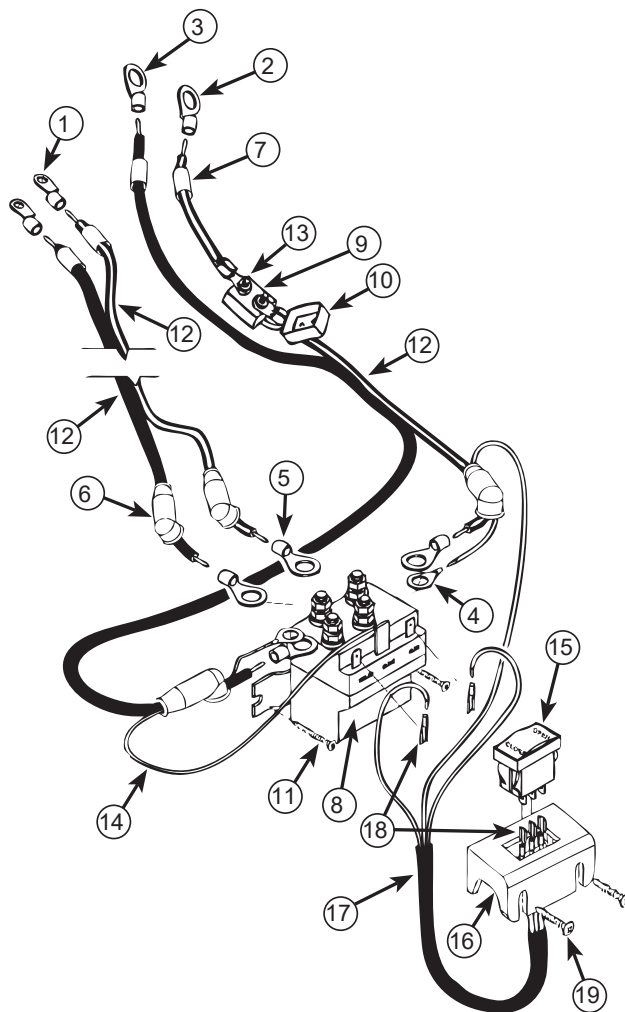
ROLL TARP SYSTEMS

ITEM	PART NO.	DESCRIPTION
SOLENOID, AUTO-CIRCUIT BREAKER AND WIRE		
1	30312	Eyelet Terminal Ring 6 Ga. 5/16" for Motor Terminals
2	30314	Eyelet Terminal Ring 6 Ga. 1/2" for Battery Post (+)
3	30313	Eyelet Terminal Ring 6 Ga. 3/8" for Battery Post (-)
4	70446	Eyelet Terminal Ring 14 Ga. 1/4" for Solenoid
5	50996	Eyelet Terminal Ring 6 Ga. 1/4" for Solenoid
6	70278	Terminal Boots, Lug Type 8-2 Ga.
7	30649	Heat Shrink Kit 10 Pcs.
	10867	Cable Tie, 11" Long Black
8	70498	Solenoid, Motor Reversing 12V w/ Jump Wire
9	10739	Circuit Breaker, Automatic 12V 40A
10	30648	Breaker Cover, Red
11	70298	Screw, Self Drilling Phillips #10 x 1"
12	20046	Wire, 6 Ga. 2 Strand
13	30647	Eyelet Terminal Ring 6 Ga. #10 (for Automatic Breaker)
14	70491	Jump Wire

ITEM	PART NO.	DESCRIPTION
ROCKER SWITCH & WIRE (FROM SOLENOID TO CAB)		
	70476	Rocker Switch 12V Kit (Includes Switch, 14 Ga. Wire, Solenoid & Related Hardware) Excludes Automatic Breaker & 6 Ga. Wire
15	40649	Rocker Switch 12V
16	40673	Switch Mounting Bracket
17	40653	Wire, 3 Conductor 14 Ga. (Requires 10 lin. ft. from Switch to Cab)
18	70428	Terminal, Female Push On 14 Ga
19	10914	Screw, Self Drilling Phillips #14x1" Zinc Plated
	40664	7/16" ID Rubber Grommet (For 14 Ga. Wire through Cab) Not Shown

ITEM	PART NO.	DESCRIPTION
TRACTOR/TRAILER CONNECTOR		
	40918	Dual Pole Connector Socket & Plug Kit (200 Amp) Includes Bolts, Washers, Nuts, Terminals and Heat Shrink Tubes
1	70388	Dual Pole Socket w/ Cover (200 Amp) (includes heat shrink & connectors)
2	20048	Dual Pole Plug (200 Amp)(plug only)

Cab Operated Wiring Parts



HD Dual Pole Connector

