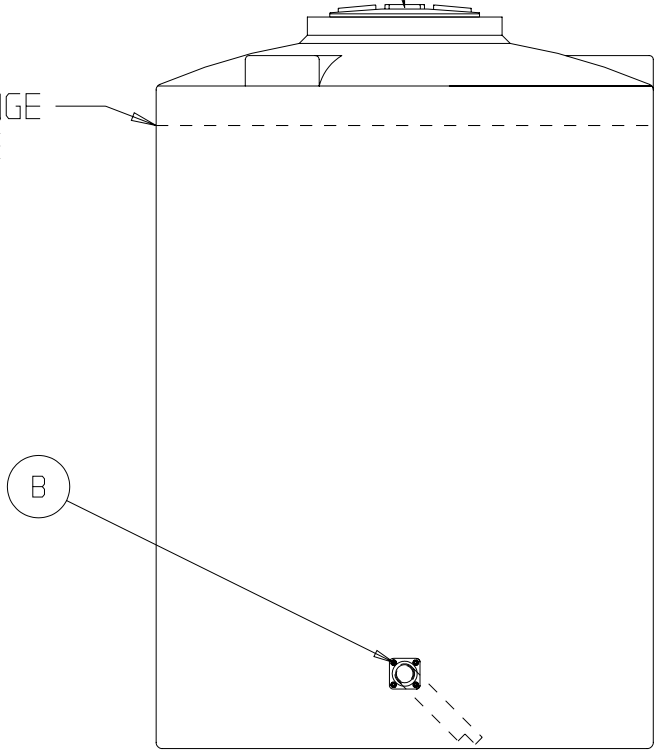


18" PE THREADED MANWAY COVER WITH 15" ACCESS

FLANGE LINE



STANDARD OUTLET SPECIFICATION * N2 *

- A. 18" PE THREADED-VENTED MANWAY W/15" ACCESS [P/N 34700087]
- B. 2" PP/PE BOLTED FTG SIPHON TUBE ASSY W/EPDM GASKETS & SS BOLTS [P/N 34700841]

* BASE FITTINGS TO BE LEFT INSTALLED AT TIME OF SHIPMENT PER SII PROCEDURE
 * Consult Snyder's Guidelines for Use and Installation prior to delivery.
 Available on-line at www.snydernet.com

(all dimensions in inches)

PART # TANK: 1831000C-- (C)

1,000 GALLON FLAT BOTTOM TANK

REF#: 0000

11/29/05