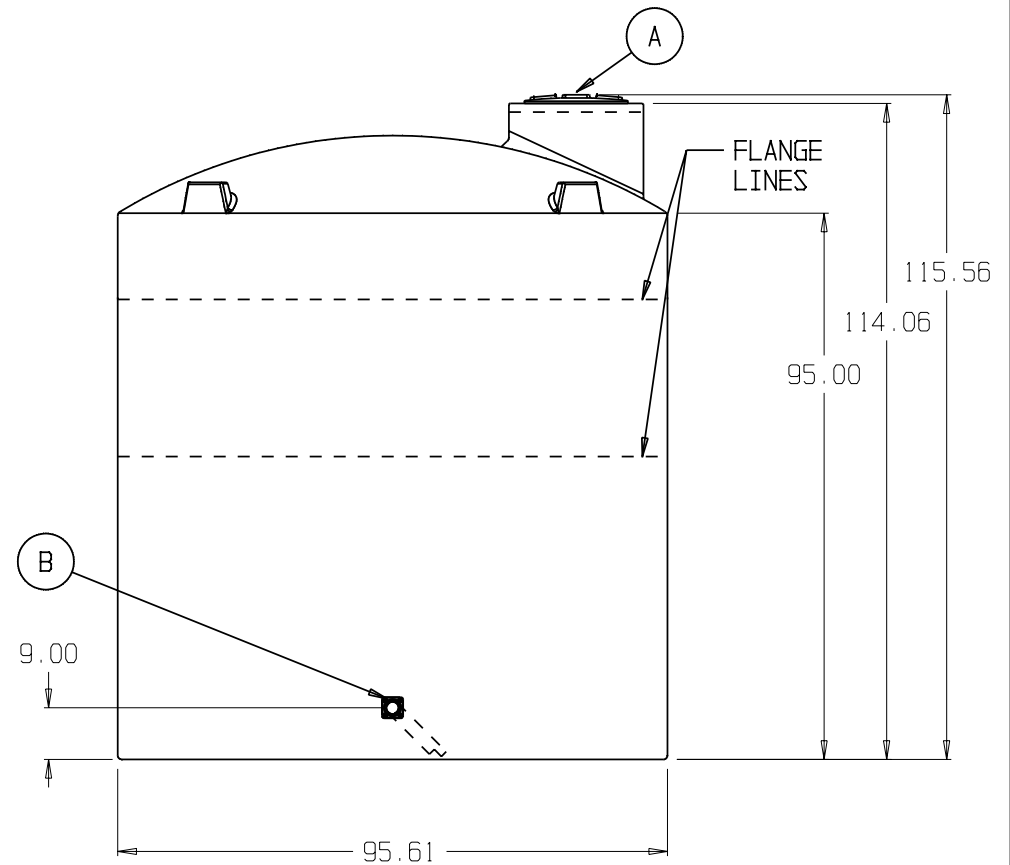
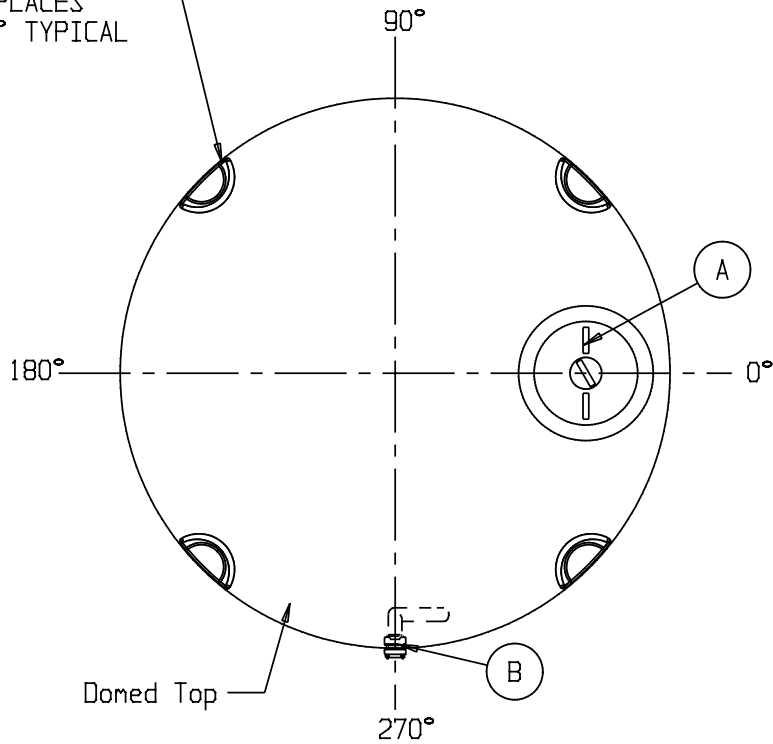


TIE-DOWN
4 PLACES
90° TYPICAL



STANDARD OUTLET SPECIFICATION * N2 *

- A. 18" PE THREADED-VENTED MANWAY W/15" ACCESS [P/N 34700087]
- B. 2" PP DBL FLANGED BOLTED LONG SIPHON TUBE ASSY W/EPDM GASKETS & SS BOLTS [P/N 34700841]

(all dimensions in inches)

* BASE FITTINGS TO BE LEFT INSTALLED AT TIME OF SHIPMENT PER SII PROCEDURE

PART # TANK: 5130200C-- (CH)

3,000 GALLON TANK W/ STANDARD FITTING

REF#: 00000

01/06/04