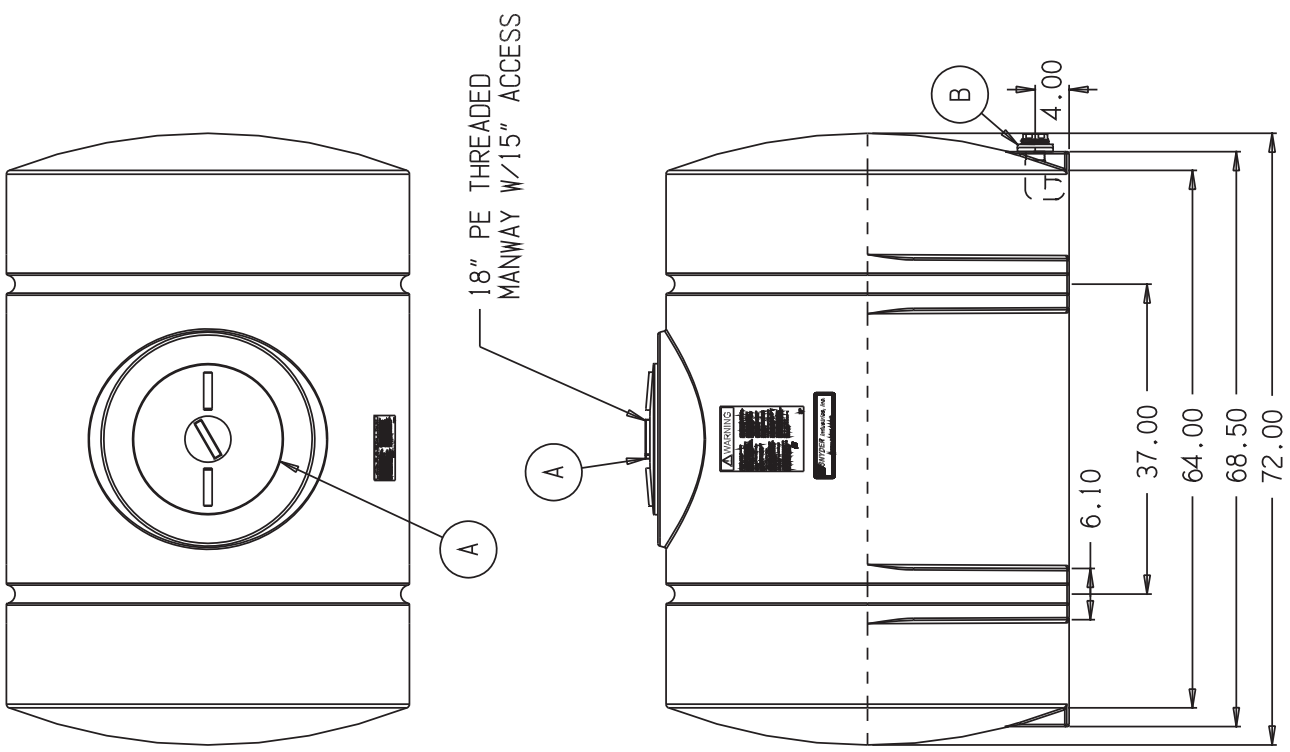


# SNYDER INDUSTRIES INC.



18" PE THREADED  
MANWAY W/15" ACCESS

GALLON  
MARKER

- A. 18" PE THREADED-VENTED MANWAY W/15" ACCESS [P/N 34700087]
- B. 2" PP THREADED BH SHORT SIPHON TUBE ASSY W/EPDM GASKET [P/N 34700840]

\* BASE FITTINGS TO BE LEFT INSTALLED AT TIME OF SHIPMENT PER SII PROCEDURE  
ALL DIMENSIONS, DESIGNS, AND INFORMATION ON THIS PRINT MUST BE CONSIDERED PROPRIETARY TO SNYDER INDUSTRIES, INC.  
AND MAY NOT BE USED, COPIED, OR DISTRIBUTED WITHOUT WRITTEN PERMISSION OF AN OFFICER (OR HIS AGENT) OF THE FIRM.

(all dimensions in inches)  
PART # TANK: 1400100C--

## 500 GALLON HORIZONTAL LEG TANK

© SNYDER INDUSTRIES, INC., 2014 REF#: 00000 02/25/14