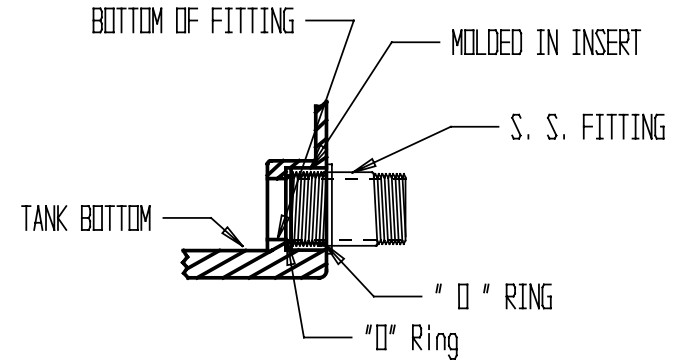
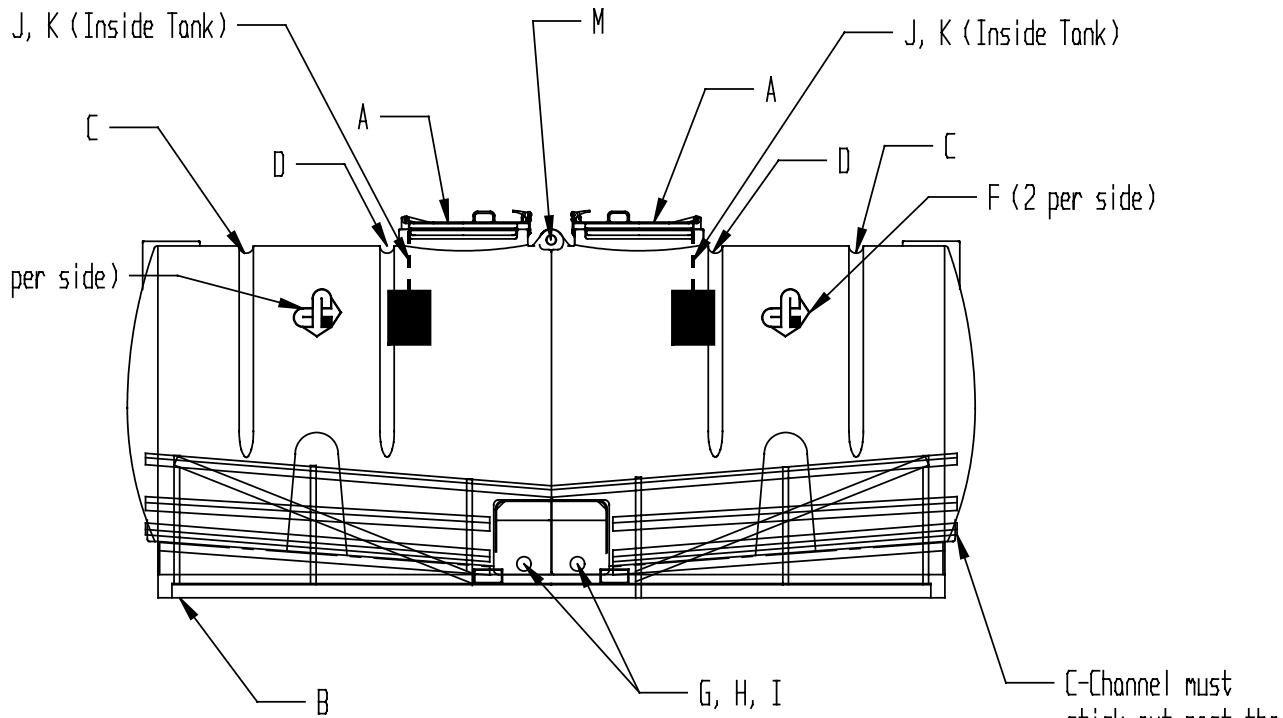


Top View of Skid L



SUMO FITTING W/ S. S. ADAPTOR



Side View of Tank and Skid

Item	Part Description	Qty	Unit
A	Transport Lid	2	Assembly
B	Skid	1	Ea.
C	Rings, Plain	2	Ea.
D	Rings, W/ Ladder Brackets	2	Ea.
E	Ladder (Not Shown)	1	Ea.
F	Crown Decal (one per side)	4	Ea.
G	Sumo	2	Ea.
H	Sumo Cap Plug	2	Ea.
I	Cap Plug Sticker	2	Ea.
J	Sumo Adapter With 2 "O" Rings	2	Ea.
K	Paper Work	2	Ea.
L	"Do Not Modify Skid" Sticker	1	Ea.
M	Connecting Pin w/ Retaining Wire	1	Ea.

Notes:

1. Ladder not shown here.
2. Drawing is intended to be a general representation only and is not to scale.
3. Check tanks for gouges and scrapes.
4. Check tank and skid for proper fit.
5. Touch up paint on all skids, rings, and ladders.

3200 Dual Skid Tank				
SIZE	DATE:	PART NUMBER	REV	
A	02/23/00	870070		
APPROVED BY:		DRAWN BY: DCE	SHEET 1	