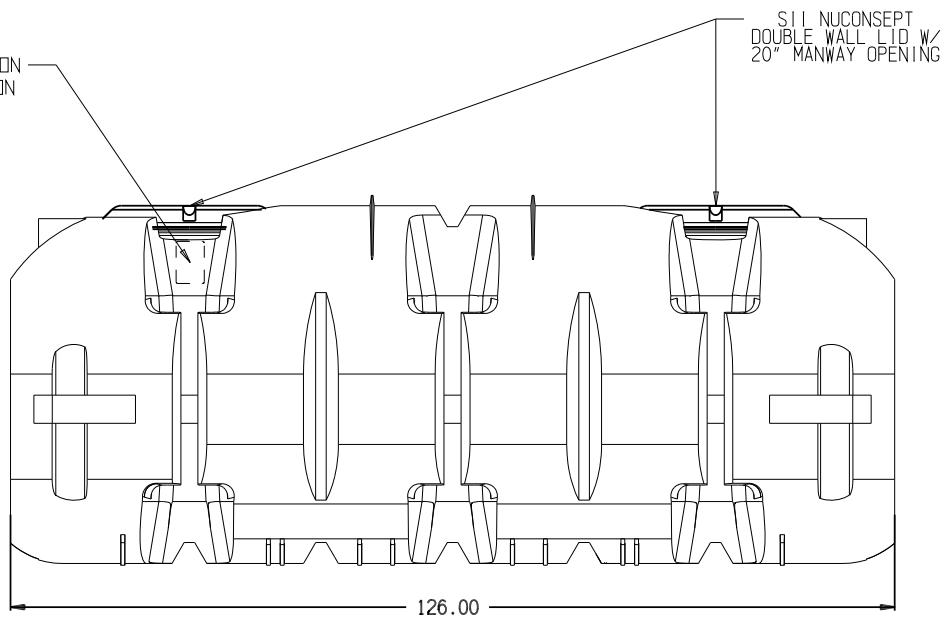


INSTALLATION
INSTRUCTION
PACKET



NOTE:
ALL CISTERNS MUST BE VENTED.
SEE DOMINATOR INSTALLATION INSTRUCTIONS [P/N 99800078] FOR DIAGRAM SHOWING VENTING THROUGH THE LID.

3" PVC SCH.40 U-VENT ASSY W/ 3" PE T x T BH W/ BUG SCREEN [P/N 34701333] - OPTIONAL - NOT SHOWN

- 6" SEPTIC/CISTERN RISER BLACK [P/N 34300028] - OPTIONAL - NOT SHOWN
- 12" SEPTIC/CISTERN RISER BLACK [P/N 34300029] - OPTIONAL - NOT SHOWN
- 18" SEPTIC/CISTERN RISER BLACK [P/N 34300030] - OPTIONAL - NOT SHOWN

(all dimensions in inches)

PART #	TANK: 1001010W97401 (M)
	HOPE/NAT/CISTERN
REF#: 0000	04/02/07

1200 DOMINATOR CISTERN TANK